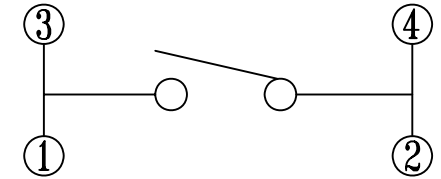
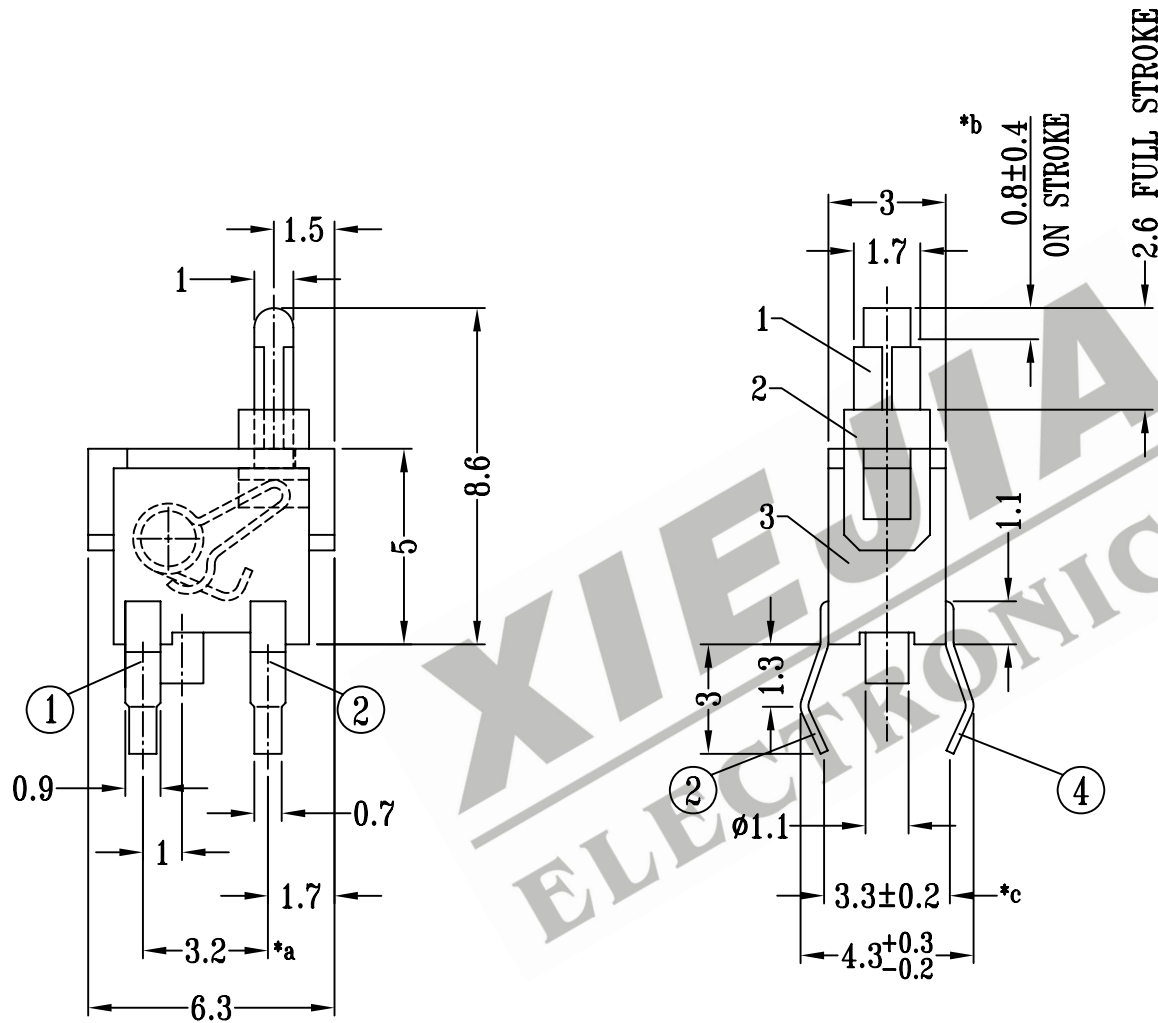
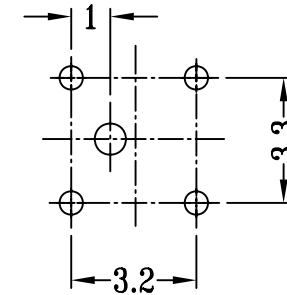


CAD FILE:



CIRCUIT DIAGRAM



P.C.B LAYOUT

OPERATING FORCE: 40±10gf

注：“\*”表示关键尺寸（3个）

8					TOLERANCE	SHENZHEN XIEJIA ELECTRONICS CO.,LTD.					
7					UNLESS SPECIFIED						
6					WITHIN : 1.5±0.1mm						
5					OVER : 1.5±0.2mm	ISSUE	DATE	DESCRIPTIONS OF REVISION		APPD	
4	CONTACT SPRING	PBS	1	Ag PLATED	TITLE: TACT SWITCH			UNIT : mm	DRWG NO.: XJ-DR-TC0030-00		
3	CASE	NYLON/BRASS STRIP	1	BLACK/Ag PLATED OVER Ni PLATED	MODEL: TC-0030			SCALE: 5 : 1	DWN	ZHOUYU	2001-8-20
2	COVER	NYLON	1	BLACK	ALL MATERIALS MUST BE COMPLIANT TO ROHS			CHK'D	FANGYING	2001-8-20	
1	KNOB	POM	1	BLACK				APPD	KANGXINAN	2001-8-20	
NO.	PARTS	MATERIALS	QTY	FINISH							